



MOUNTING PLAYPRO™

Instructions for mounting PlayPro™ natural rubber edge protection for trampoline Loop 1.0 and Loop 1.5

Rampline©02.21

PlayPro™ is developed by Eurotramp and Rampline

PlayPro™ is certified by TÜV according to EN 1177:2018

EUROTRAMP



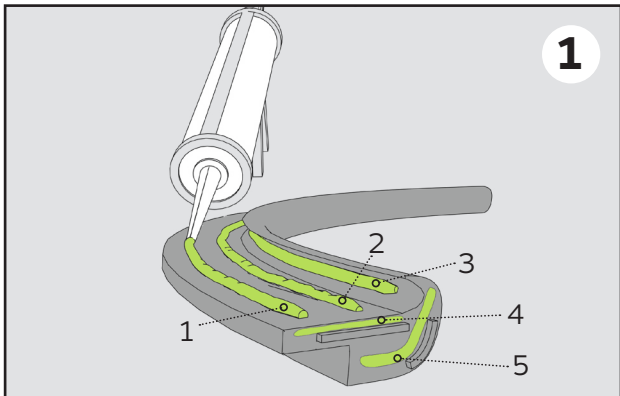
rampline®

Tools needed

- Sealant gun
- Glue: Casco SuperFix+ (included).
One cartridge needed for mounting a Playpro 1.5.
Half a cartridge needed for mounting a Playpro 1.0.

Important!

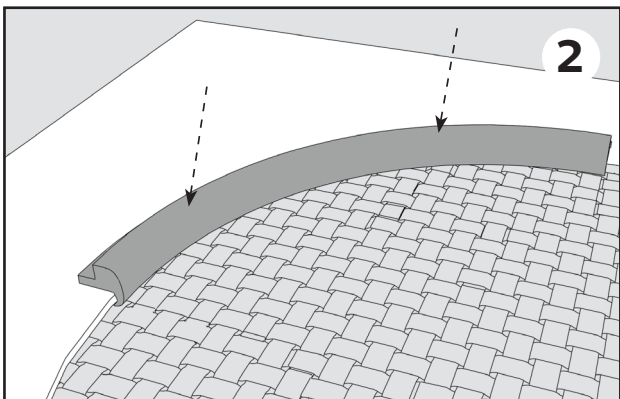
- Read the entire document before mounting
- The surface of the trampoline steel frame must be dry, clean and free from oils, loose aggregates and other contaminants.
- Application temperature has to be 5°C to 40°C.



Apply glue to each part.

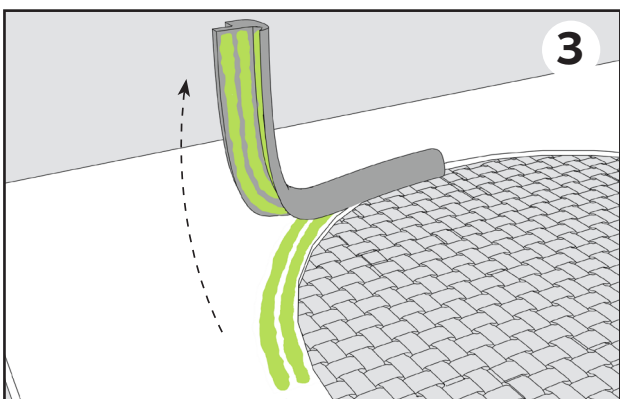
Apply 3 strings of glue to the underside of each part, and to the joint.

The illustration shows where to apply the strings of glue.



Perform an adhesion test.

Put the first part in place. Apply some pressure downwards and inwards to the edge.

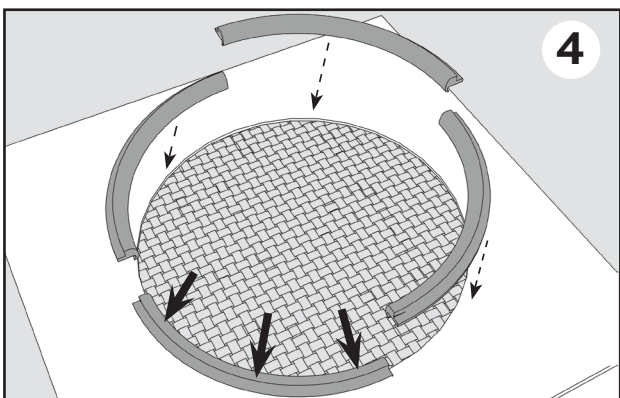


Lift the part to check adhesion.

Check for good adhesion and distribution on both surfaces.

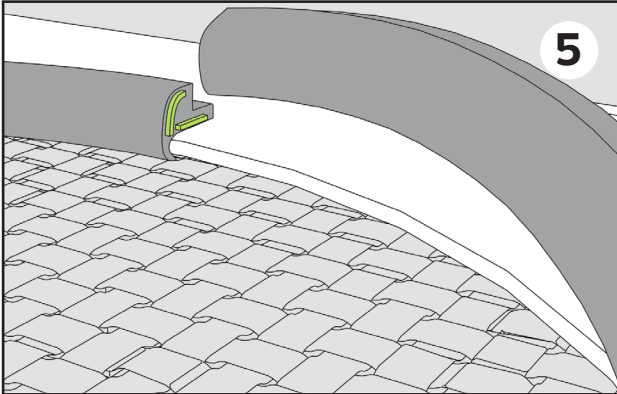
Insufficient adhesion can be caused by dirty or wet surfaces, or if the glue is too dry.

You are now ready to mount the parts.



Glue the parts to the trampoline steel frame.

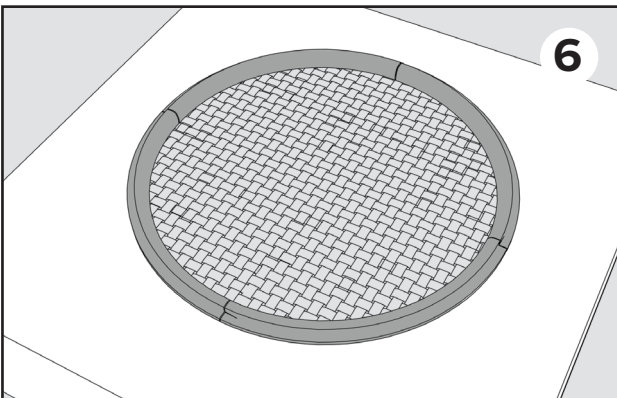
Apply pressure down and inwards towards the trampoline edge.



Be accurate with the joints.

The parts has tongue and groove.

Make sure the parts come close/tight together.

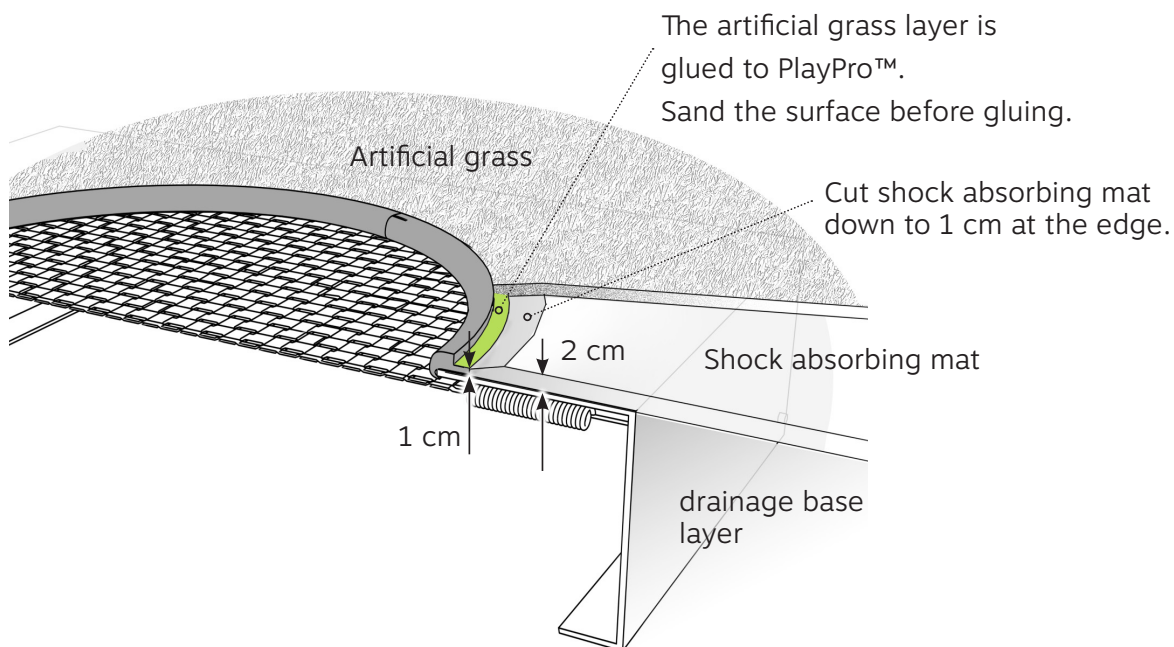


The mounting of PlayPro™ is finished.

PlayPro™ is designed to offer a neat and practical transition to the surrounding ground cover.

Instructions for laying artificial grass or wet pour ground cover adjacent to Playpro™, please see the next page.

PlayPro™ with artificial grass



PlayPro™ with wet pour ground covers

